

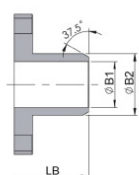
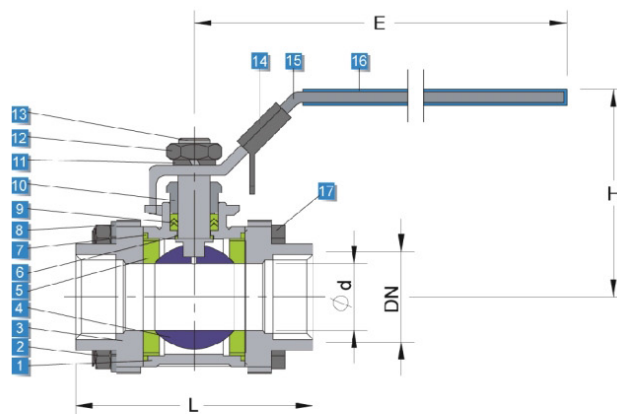
FEATURES:

Anti-static Devices For Ball- Stem- Body
 Blow-out Proof Stem
 Pressure Balance Hole In Ball Slot
 Lock device
 Using Dewaxing Precision Casting

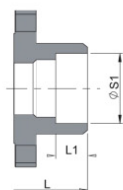
STANDARDS:

Design ASME B16.34
 Wall Thickness: ASME B16.34
 Pipe Thread: ASME B1.20.1,BS21
 DIN 2999/259,ISO 228/1 JS B 0203,ISO 7/1
 Butt Weld: ASME B16.25
 Socket Weld: ASME B16.11
 Inspection & Testing: MSS SP-110,EN 1226

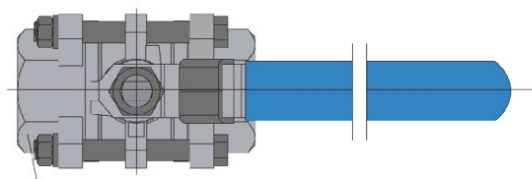
No.	PARTS NAME	MATERIAL		
1	Body	CF8M	CF8	WCB
2	Nut	SUS304		
3	Cap	CF8M	CF8	WCB
4	Ball	CF8M	CF8	
5	Seat	PTFE	RPTFE	
6	Thrust Washer	PTFE		
7	Cap Gasket	PTFE		
8	Spring Washer	SUS304		
9	Stem Packing	PTFE		
10	Nut Gland	SUS304		
11	Spring Washer	SUS304		
12	Nut	SUS304		
13	Stem	SUS316	SUS304	
14	Locking Device	SUS301		
15	Handle	SUS304		
16	Handle Cover	Plastic		
17	Bolt	SUS304		



Butt Welding End



Socket End



HEX.B

Unit:mm

DN	L	Ød	H	E	L1	ØS1	LB	ØB1	ØB2	HEX.B	THREAD
1/2"	60	15	59	98	10	21.8	60	15	22	25	NPT BSP PT DIN BSPT etc.
3/4"	70	20	67	120	13	27.3	70	20	26	30.5	
1"	80	24	70	120	13	34	80	24	34	39	
1-1/4"	92	31.5	80.5	150	16	42.8	92	31.5	42	47	
1-1/2"	107	38	94	170	16	48.9	107	38	47	54	
2"	125	48	102	170	17	61.4	125	48	60	66.5	
2-1/2"	160	64	125	250	17	74	160	64	75	81.5	
3"	180	76	135.5	250	17	90	180	76	90	97	
4"	225	98	165.5	300	20	115.4	225	98	110	124	