



## FEATURES:

Stainless Steel One Piece Seat

Using Dewaxing Precision Casting

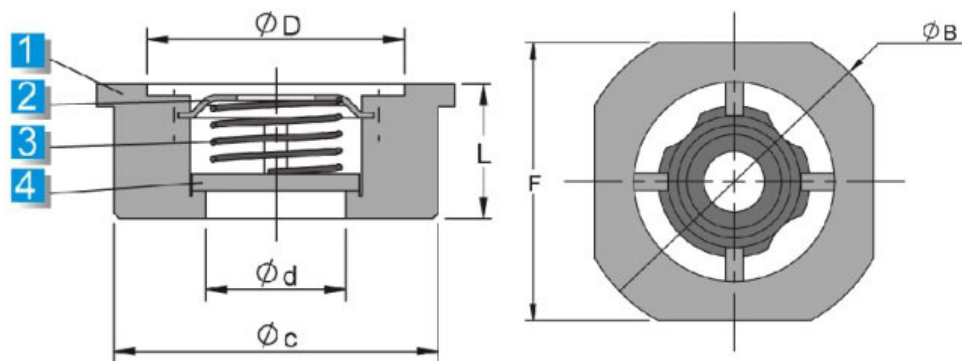
## STANDARDS:

Design: ASME B16.34

Wall Thickness: ASME B16.34

Inspection & Testing:

MSS SP-110, EN 12266



No.	PARTS NAME	MATERIAL	
1	Body	CF8M	CF8
2	Stop Cap	SUS316	SUS304
3	Spring	SUS304	
4	Disc	CF8M	CF8

## Unit:mm

Size	1/2"	3/4"	1"	1-1/4"	1-1/2"	2"	2-1/2"	3"	4"	5"	6"
<b>L</b>	16.5	19.5	22	28	32	40	46	50	60	82	102
$\phi d$	15	20	25	30	38	46	62.5	78	96	117	148
$\phi C$	43	53	63	75	86	94	115	130	152	-	-
$\phi D$	35	43	54	65	75	84	103	117	138	-	-
<b>F</b>	46	55	65	78	88	98	118	134	154	-	-
$\phi B$	53	63	73	84	94	107	126	144	164	190	217