

FULLY WELDED BALL VALVE (FAF 1270)



APPLICATIONS:

Steam, cold water, hot water and pressurized hot water installations, chemical fluids, compressed air, etc.

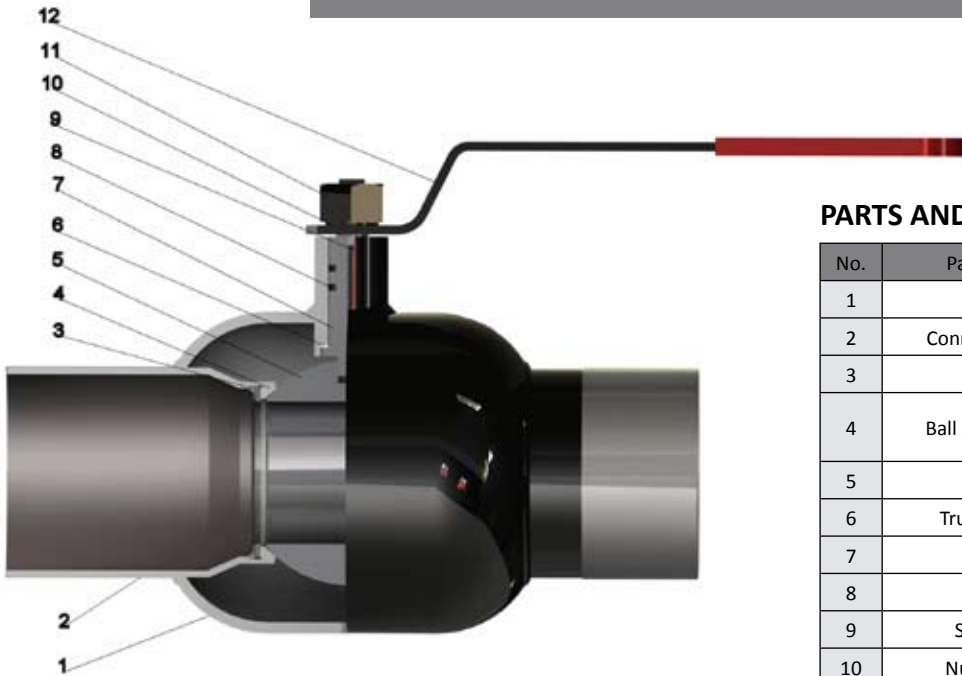
TEMPERATURE:

Max. +200°C
Working Pressure: 25 bar

PRODUCT FEATURES:

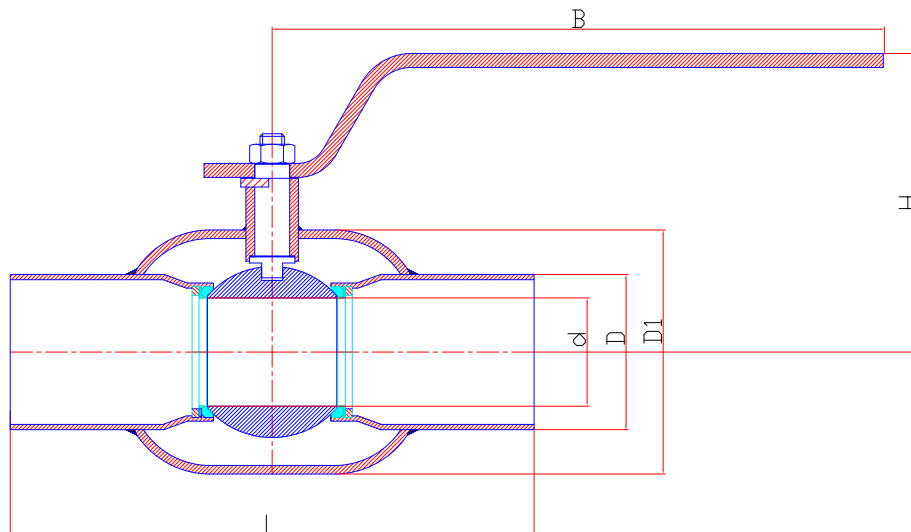
- One piece body
- Blow-out proof stem
- High precision ball made of Stainless Steel DIN1.4086
- Body and piping material can be chosen from the wide range of steel piping materials according to customers' requirements. Standard production with St37 Steel
- Quarter-turn operation
- Reduced bore
- Bi-directional

FULLY WELDED BALL VALVE (FAF 1270)



PARTS AND MATERIALS

No.	Part Names	Material
1	Body	St 37
2	Connecting Pipe	St 37
3	Base	St 37
4	Ball Seal Packing	AISI 420, Silicone, PTFE
5	Ball	DIN1.4086
6	Trust Washer	PTFE
7	Stem	303 SS
8	O-ring	Viton
9	Stem bolt	AISI 420
10	Nut Washer	DIN 439
11	Hexagon Nut	DIN 934
12	Handle	St37



DIMENSION TABLE

DN (mm)	D	D1	d	L	H	B	Вес (кг)
15	21.3	50	10	230	50	135	1.0
20	26.9	60	14	230	55	135	1.2
25	33.7	65	19	230	60	150	1.7
32	42.4	75	24	260	65	150	2.2
40	48.3	76.1	30	260	100	165	2.3
50	60.3	88.9	38	300	115	200	3.6
65	76.1	114.3	47	300	123	225	5.0
80	88.9	139.7	60	300	135	250	7.0
100	114.3	165.1	76	325	143	300	10.8
125	139.7	178	96	325	213	350	19.4
150	165.1	219.1	119	350	230	550	29.4