

FLEXIBLE RUBBER JOINT (FAF 5000)



FEATURES

- Galvanized Steel Flanges
- Body, EPDM with Reinforcing Steel Wire
- Easy to use and easy to assemble

APPLICATION FIELDS

EPDM material has good resistance to sunlight, weathering and ozone; it has poor resistance to petroleum oils and fuel.

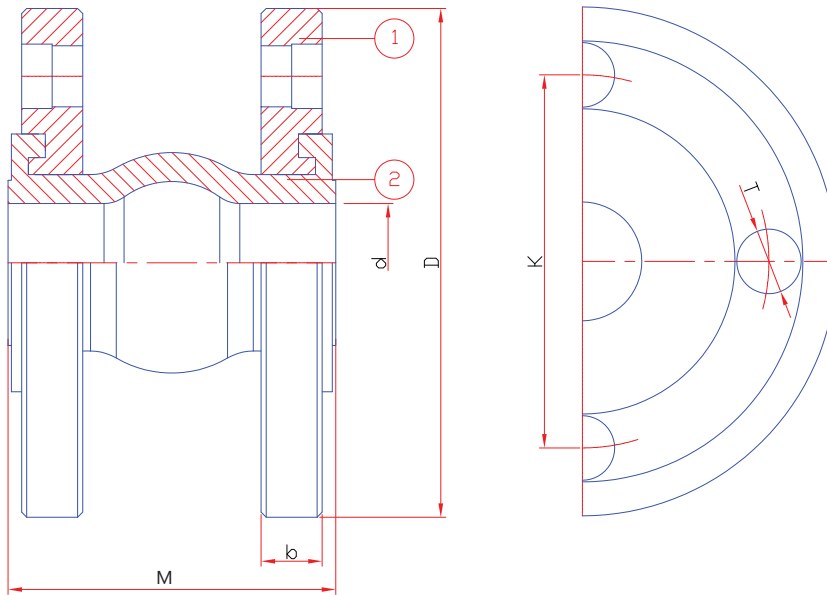
EPDM is generally suitable for less than 10% acids, inorganic and organic alcohols, alkaline salts and solutions, dry bulk, hot-cold water and steam. Absolutely not suitable for "Hydrocarbons".

TEMPERATURE

Min -40°C Max +130°C

FLEXIBLE RUBBER JOINT (FAF 5000)

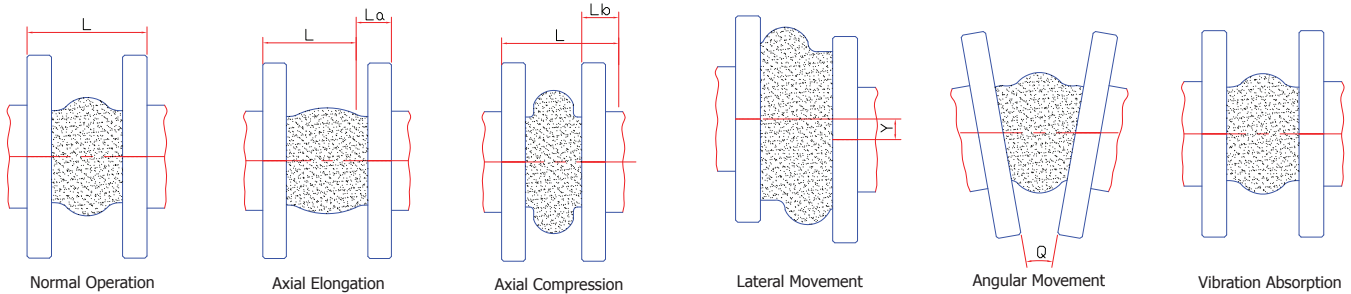
DIMENSIONS AND PRODUCT DATA



NAME OF THE PARTS

1. FLANGES (RST37-2 Carbon Steel)
2. EPDM with Reinforcing Steel Wire

OPERATION



FAF 5000 FLEXIBLE RUBBER JOINT

DN	DIMENSIONS							PRODUCT DATA	
	mm	D	d	b	L	K	M	T	Number of Holes
40	150	40	12	85	110	95	19	4	3.2
50	165	51	12	95	125	107	19	4	4.0
65	185	70	15	105	145	117	19	4	5.5
80	200	77	15	115	160	135	19	8	6.8
100	220	100	15	130	180	148	19	8	7.5
125	250	133	17	135	210	164	19	8	9.5
150	285	150	17	165	240	181	23	8	12.0
200	340	200	22	180	295	208	23	12	17.5
250	405	250	22	200	355	223	28	12	23.0
300	460	300	32	220	410	246	28	12	28.0
350	520	350	36	230	470	258	28	16	37.0
400	580	400	38	240	525	265	31	16	48.0

ELONGATION CAPACITY

- Axial Elongation : +6%
- Axial Compression : -9.4%
- Lateral Movement : Between 8% and 9%
- Angular Movement : 15 Degrees

Pressure (Bar)	16	10	6
Temperature (°C)	70	100	110