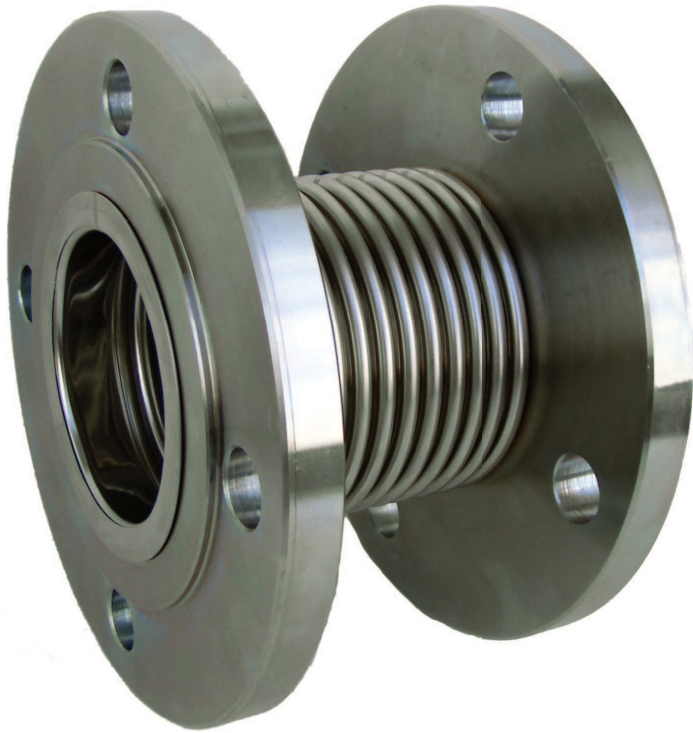


AXIAL EXPANSION JOINT / 5100



PN 16
DN32 → DN250

PRODUCTION STANDARDS

DESIGN	TS 10880 / DIN30681
END CONNECTION	FLANGED TS EN 1092-1 / ISO 7005-1 WELDING END TS EN 12627
FACE TO FACE	TS 10880 / DIN30681
TEST	TS 10880 / DIN30681
MARKING	TS EN 19 / TS 10880/ DIN30681

FEATURES

- FAF 5100 AXIAL EXPANSION JOINTS removes vibration and variation that expansion and contraction arising from temperature differences in pipelines.
- Resulting from high fluid velocities can cause vibration and corrosive fluids on the bellows material erosion are prevented via shim that is optional.
- It can be manufactured as rotary flanges (FAF5110), Welding Ends (FAF5120), Fixed Flanges (FAF5130)

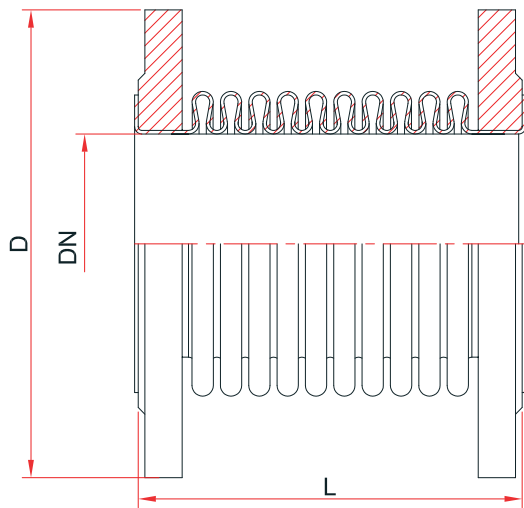
APPLICATIONS

Hot Water, Cold Water, Industrial Applications

TEMPERATURE

-20, +430 °C

TECHNICAL DRAWING

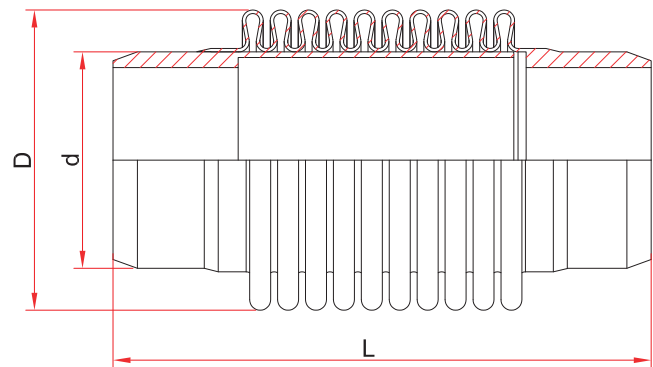


MATERIAL SELECTION

BODY 1.4301 - AISI 304 STAINLESS STEEL
1.4401 - AISI 316 STAINLESS STEEL
1.4541 - AISI 321 STAINLESS STEEL

FLANGE 1.0037 - ST 37 STEEL
1.4301 - AISI 304 STAINLESS STEEL
1.4401 - AISI 316 STAINLESS STEEL

LINER 1.4301 - AISI 304 STAINLESS STEEL
1.4401 - AISI 316 STAINLESS STEEL
1.4541 - AISI 321 STAINLESS STEEL



ROTARY / FIXED FLANGED						WELDING END					
DN	DIMENSION			RATINGS		DIMENSION				RATINGS	
mm	D	L +/-5	Expansion Range	Effective Area cm ²	Weight kg	D	d	L +/-5	Expansion Range	Effective Area cm ²	Weight kg
32	140	125	-20/+10	21	2,8	58	42,4	195	-20/+10	21	0,4
40	150	125	-20/+10	24	3,4	62	48,3	195	-20/+10	24	0,5
50	165	125	-20/+10	36	4,8	76	60,3	195	-20/+10	36	0,6
65	185	130	-20/+10	57	5,9	92	76,1	210	-20/+10	57	0,8
		185	-40/+20					270			
80	200	130	-20/+10	77	7,2	110	88,9	210	-20/+10	77	1,1
		185	-40/+20					270			
100	220	130	-20/+10	126	8,0	141	114,3	210	-20/+10	126	1,4
		190	-40/+20					280			
125	250	130	-20/+10	180	11,5	165	139,7	210	-20/+10	180	2,3
		200	-40/+20					280			
150	285	135	-20/+10	263	13,4	200	165,1	250	-20/+10	263	3,3
		200	-40/+20					315			
200	340	140	-20/+10	434	18,5	252	219,1	250	-20/+10	434	5,0
		210	-40/+20					320			
250	405	145	-20/+10	670	26,8	313	273	290	-20/+10	670	8,7
		215	-40/+20					360			

* Valves can be produced with bigger sizes when requested.